

Technische Daten

Ausgangsleistung

Nennleistung 2x25W (an 8Ω).

Eingangsempfindlichkeit

Phono 2,5 mV/47 kΩ
Tuner, Aux/CD, TB/Tape 150 mV/47 kΩ

Frequenzgang

20 Hz - 20 kHz

Variation der Klangsteller

Bässe ± 8 dB bei 100 Hz
Höhen ± 8 dB bei 10 kHz

Specification

Continuous power output:

25W x2 (into 8 ohm)

Input sensitivity and impedance:

Phono inputs 2.5 mV/47 kohm
TUNER, AUX/CD, TB/TAPE inputs 150 mV/47 kohm

Frequency response:

20 Hz - 20 kHz

Tone control ranges:

Bass ± 8 dB at 100 Hz
Treble ± 8 dB at 10 kHz

Ruhestromeinstellung der Endstufe

Für diese Einstellung muß das Gerät mindestens 3 Minuten in Betrieb sein.

Linker Kanal: An R 723 und R 722
1-2 mV mit R 703 einstellen.

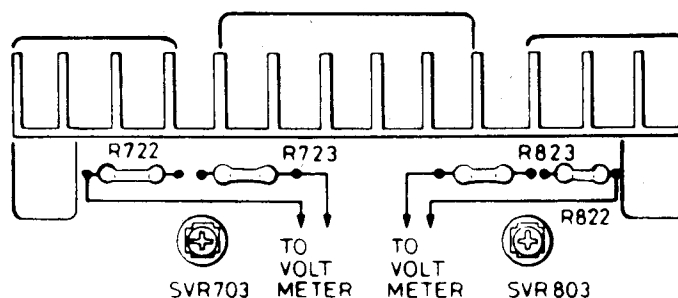
Rechter Kanal: An R 823 und R 822
1-2 mV mit R 803 einstellen.

Adjusting Quiescent Current of Output Stage

After the power switch is turned on at 3 minutes, adjust SVR 703 and SVR 803 respectively as follows.

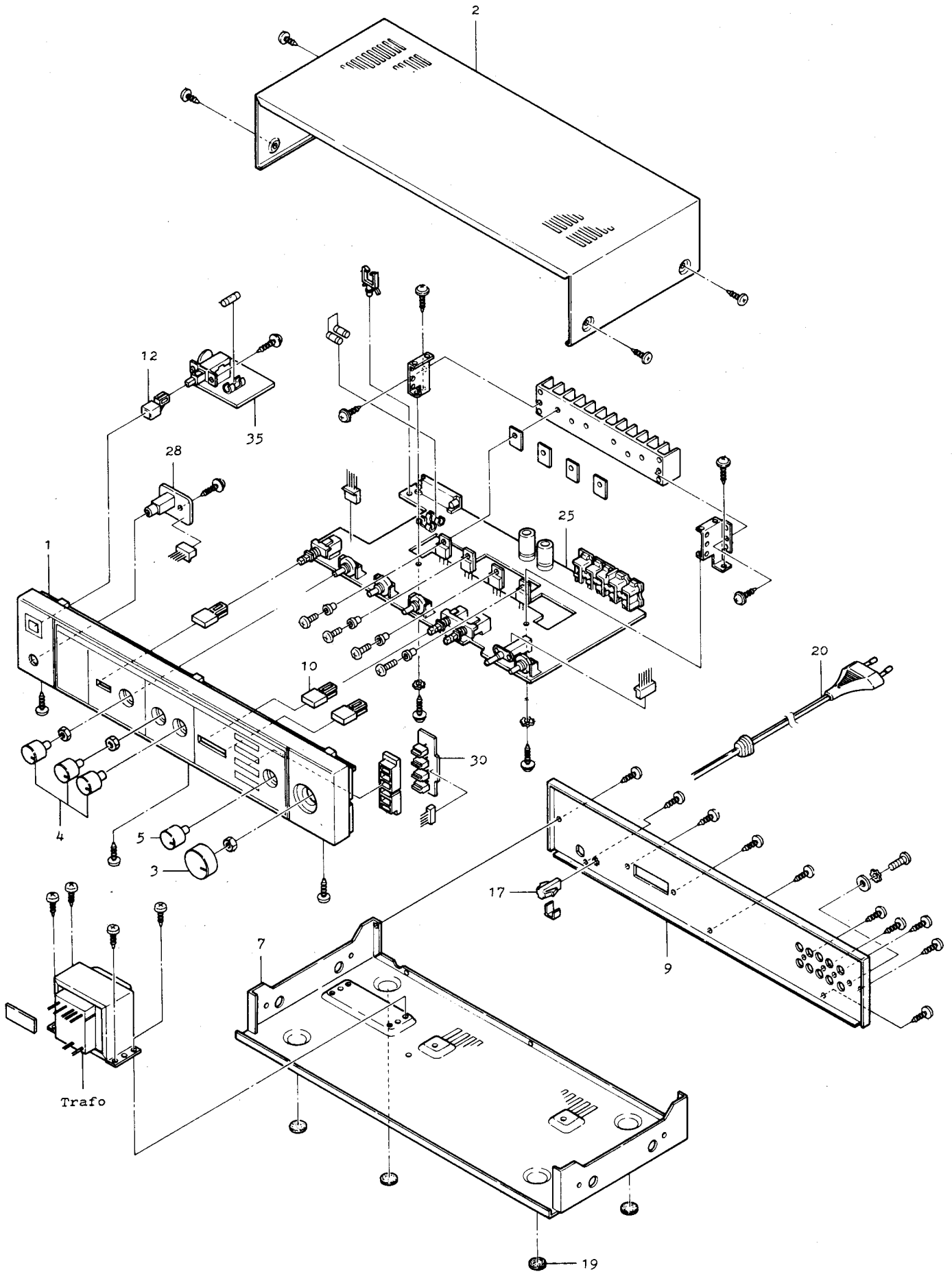
L-Channel: SVR 703 for 1.0 mV ~ 2.0 mV reading between the both leads of R 723 and R 722.

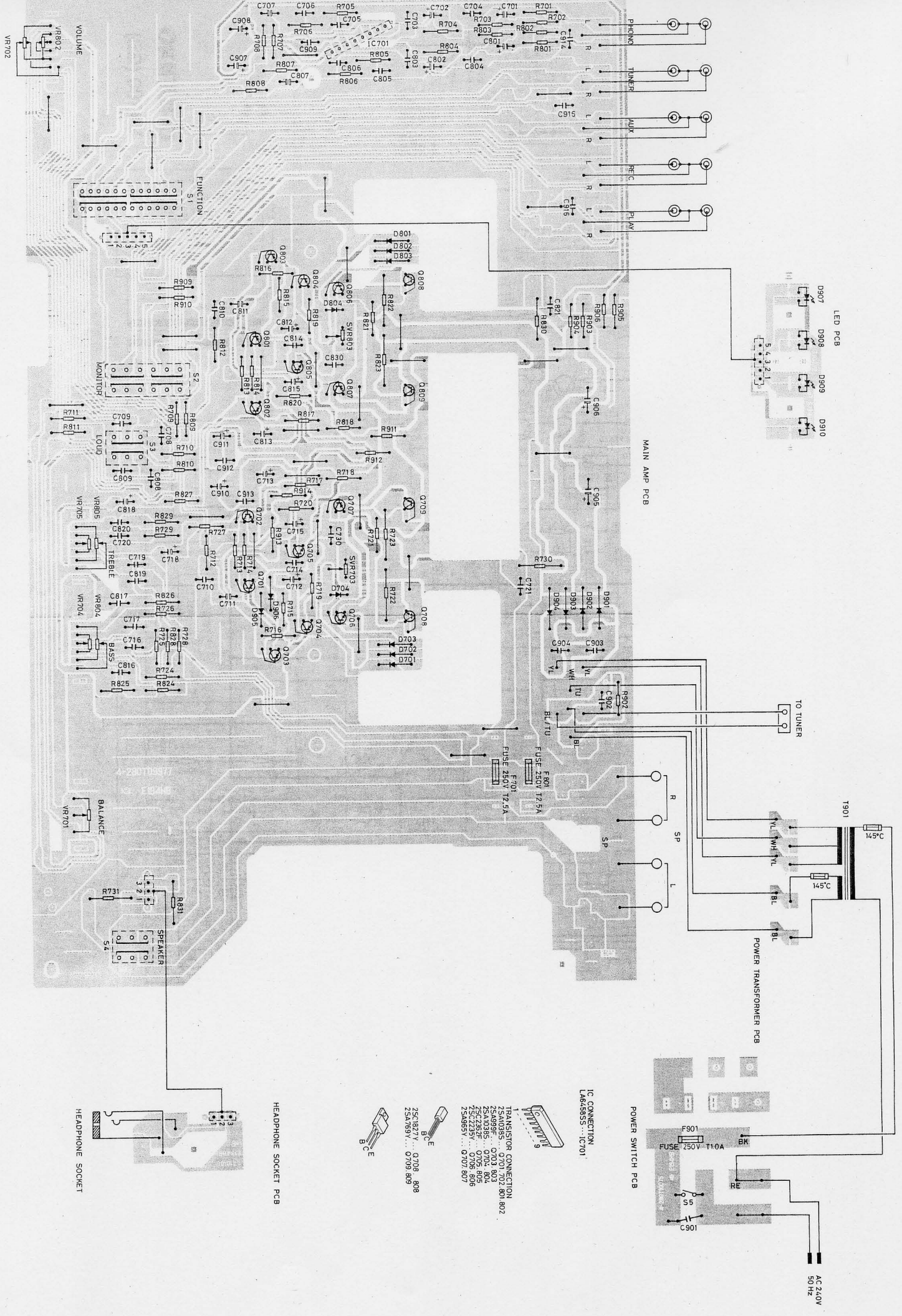
R-Channel: SVR 803 for 1.0 mV ~ 2.0 mV reading between the both leads of R 823 and R 822.



Explosionszeichnung

Explosion VIEW





LED PCB

MAIN AMP PCB

POWER TRANSFORMER PCB

POWER SWITCH PCB

HEADPHONE SOCKET PCB

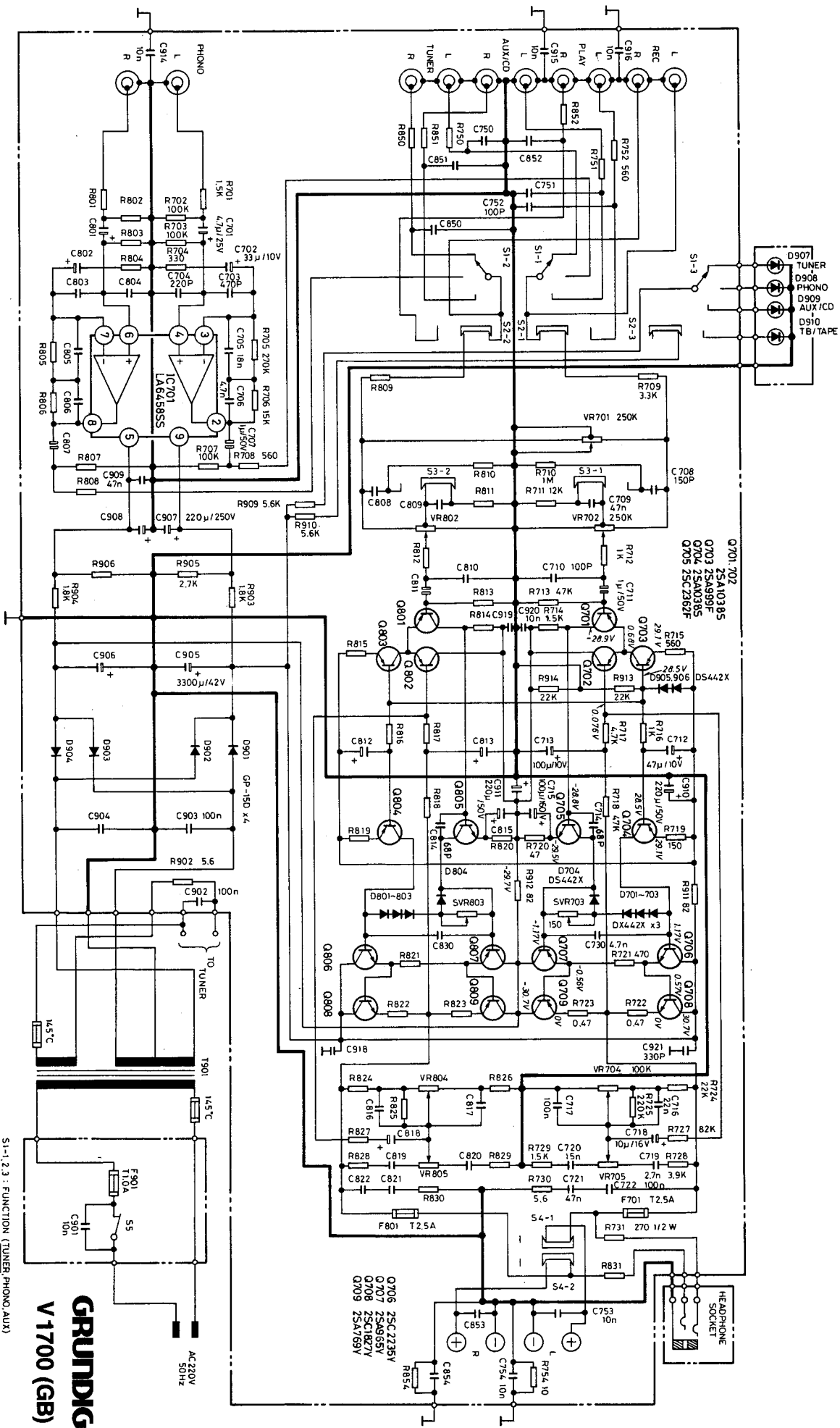
HEADPHONE SOCKET

IC CONNECTION
LA64885...IC701

TRANSISTOR CONNECTION
25A0385... Q701, Q702, Q703, Q704, Q705, Q706, Q707, Q708, Q709, Q710, Q711, Q712, Q713, Q714, Q715, Q716, Q717, Q718, Q719, Q720, Q721, Q722, Q723, Q724, Q725, Q726, Q727, Q728, Q729, Q730, Q731, Q732, Q733, Q734, Q735, Q736, Q737, Q738, Q739, Q740, Q741, Q742, Q743, Q744, Q745, Q746, Q747, Q748, Q749, Q750, Q751, Q752, Q753, Q754, Q755, Q756, Q757, Q758, Q759, Q760, Q761, Q762, Q763, Q764, Q765, Q766, Q767, Q768, Q769, Q770, Q771, Q772, Q773, Q774, Q775, Q776, Q777, Q778, Q779, Q780, Q781, Q782, Q783, Q784, Q785, Q786, Q787, Q788, Q789, Q790, Q791, Q792, Q793, Q794, Q795, Q796, Q797, Q798, Q799, Q800, Q801, Q802, Q803, Q804, Q805, Q806, Q807, Q808, Q809, Q810, Q811, Q812, Q813, Q814, Q815, Q816, Q817, Q818, Q819, Q820, Q821, Q822, Q823, Q824, Q825, Q826, Q827, Q828, Q829, Q830, Q831, Q832, Q833, Q834, Q835, Q836, Q837, Q838, Q839, Q840, Q841, Q842, Q843, Q844, Q845, Q846, Q847, Q848, Q849, Q850, Q851, Q852, Q853, Q854, Q855, Q856, Q857, Q858, Q859, Q860, Q861, Q862, Q863, Q864, Q865, Q866, Q867, Q868, Q869, Q870, Q871, Q872, Q873, Q874, Q875, Q876, Q877, Q878, Q879, Q880, Q881, Q882, Q883, Q884, Q885, Q886, Q887, Q888, Q889, Q890, Q891, Q892, Q893, Q894, Q895, Q896, Q897, Q898, Q899, Q900, Q901, Q902, Q903, Q904, Q905, Q906, Q907, Q908, Q909, Q910, Q911, Q912, Q913, Q914, Q915, Q916, Q917, Q918, Q919, Q920, Q921, Q922, Q923, Q924, Q925, Q926, Q927, Q928, Q929, Q930, Q931, Q932, Q933, Q934, Q935, Q936, Q937, Q938, Q939, Q940, Q941, Q942, Q943, Q944, Q945, Q946, Q947, Q948, Q949, Q950, Q951, Q952, Q953, Q954, Q955, Q956, Q957, Q958, Q959, Q960, Q961, Q962, Q963, Q964, Q965, Q966, Q967, Q968, Q969, Q970, Q971, Q972, Q973, Q974, Q975, Q976, Q977, Q978, Q979, Q980, Q981, Q982, Q983, Q984, Q985, Q986, Q987, Q988, Q989, Q990, Q991, Q992, Q993, Q994, Q995, Q996, Q997, Q998, Q999, Q1000

25C1827... Q708, Q98
25A1837... Q709, Q98





- S1-1,2,3 : FUNCTION (TUNER, PHONO, AUX)
- S2-1,2,3 : MONITOR (TAPE, SOURCE)
- S3-1,2 : LOUDNESS (ON, OFF)
- S4-1,2 : SPEAKER (ON, OFF)
- SS : POWER (ON, OFF)

GRUNDIG
V1700 (GB)

Q706 ZSC2235V
 Q707 ZSA955V
 Q708 ZSC1827V
 Q709 ZSA769V

Q701 702 25A1039S
 Q703 25A909F
 Q704 25A2035S
 Q705 25C3827F

DS442X
 D905 906

DX442X x3

R724 22K
 R725 22K
 R726 22K

C753 10n
 C754 10n